



series

STANDARD VERSION



W200  
W204  
W14200  
W16180



VH version



VK version

- All models (excepts for models WW963 - WW964 - WW965 - WW963C - WW964C - WW965C - W200 - W204 - W14200 - W16180) can be supplied with built-in "H" type and "K" type automatic pressure regulators (right).
- Tous les modèles (sauf modèles WW963 - WW964 - WW965 - WW963C - WW964C - WW965C - W200 - W204 - W14200 - W16180) peuvent être livrés avec régulateur automatique de pression incorporé de la série "H" ou "K" (à droite).
- Alle Modelle (Ausschließlich Modelle WW963 - WW964 - WW965 - WW963C - WW964C - WW965C - W200 - W204 - W14200 - W16180) sind mit eingebautem automatischem Druckregulierventil typ "H" und "K" lieferbar (rechts).
- Todos los modelos (excepto modelos WW963 - WW964 - WW965 - WW963C - WW964C - WW965C - W200 - W204 - W14200 - W16180) pueden venir equipados con regulador automatico de presión incorporado (a la derecha), de tipo "H" y "K".
- Tutti i modelli (esclusi WW963 - WW964 - WW965 - WW963C - WW964C - WW965C - W200 - W204 - W14200 - W16180) possono essere forniti con valvola di regolazione automatica incorporata di tipo "H" o di tipo "K" (a destra).

Pump type Type de pompe Pumpentype Tipo de bomba Tipo di pompa	Flow rate Débit Förderleistung Caudal Portata		Max. pressure Pression Druck Presión Pressione			r.p.m. tr./min. u.p.m. r/min. g./min.	Power Puissance Leistung Potencia Potenza		Weight Poids Gewicht Peso Peso	Dimensions Dimensions Dimension Dimensiones Dimensioni
	l/min.	G.P.M. (U.S.A.)	bar	MPa	p.s.i.		kW	hp		
<b>W150</b>	8	2.11	150	15	2175	1450	2,20	3	7,9	225x221x139
<b>W130</b>	9,5	2.5	130	13	1885		2,20	3		
<b>W170</b>	9,5	2.5	170	17	2465		2,94	4		
<b>W112</b>	12	3.17	100	10	1450		2,20	3	7,7	
<b>W140</b>	12	3.17	140	14	2030		2,94	4		
<b>W200</b>	12	3.17	200	20	2900		4,41	6		
<b>W97</b>	14	3.69	90	9	1300		2,20	3		
<b>W124</b>	14	3.69	120	12	1750		2,94	4		
<b>W154</b>	14	3.69	150	15	2175		4,04	5,5		
<b>W204</b>	14	3.69	200	20	2900		5,37	7,3		
<b>W950</b>	9,5	2.5	165	16,5	2400	1750	2,94	4	7,9	225x221x139
<b>W951</b>	11,5	3.04	103	10,3	1500		2,20	3		
<b>W952</b>	11,5	3.04	138	13,8	2000		2,94	4		
<b>W953</b>	11,5	3.04	172	17,2	2500		3,67	5	7,7	
<b>W954</b>	13,6	3.6	90	9	1300		2,20	3		
<b>W955</b>	13,6	3.6	117	11,7	1700		2,94	4		
<b>W956</b>	13,6	3.6	145	14,5	2100		3,67	5		
<b>W14200</b>	13,6	3.6	200	20	2900		5,14	7		
<b>W957</b>	15,9	4.2	76	7,6	1100		2,20	3		
<b>W958</b>	15,9	4.2	96	9,6	1400		2,94	4		
<b>W959</b>	15,9	4.2	124	12,4	1800		3,67	5		
<b>W16180</b>	15,9	4.2	180	18	2610		5,51	7,5		
<b>WW186</b>	13	3.43	180	18	2610		2800	4,04	5,5	
<b>WW206</b>	13	3.43	200	20	2900	5,51		7,5		
<b>WW116</b>	15	3.96	110	11	1600	2,94		4		
<b>WW156</b>	15	3.96	150	15	2175	4,04		5,5		
<b>WW209</b>	15	3.96	200	20	2900	5,51		7,5		
<b>WW189</b>	16	4.22	180	18	2610	5,51		7,5		
<b>WW136</b>	17	4.5	130	13	1885	4,04		5,5		
<b>WW176</b>	17	4.5	170	17	2465	5,51		7,5		
<b>WW963</b>	11	2.9	250	25	3625	3400	5,51	7,5	8,7	225x245x164
<b>WW964</b>	13	3.43	250	25	3625		6,25	8,5		
<b>WW960</b>	13,2	3.48	172	17,2	2500		4,04	5,5		
<b>WW961</b>	15	3.96	172	17,2	2500		4,77	6,5		
<b>WW965</b>	15	3.96	250	25	3600		7,35	10		
<b>WW962</b>	17,4	4.6	172	17,2	2500		5,51	7,5		

Pump type Type de pompe Pumpentype Tipo de bomba Tipo di pompa	Flow rate Débit Förderleistung Caudal Portata		Max. pressure Pression Druck Presión Pressione			r.p.m. tr./min. u.p.m. r/min. g./min.	Power Puissance Leistung Potencia Potenza	
	l/min.	G.P.M. (U.S.A.)	bar	MPa	p.s.i.		kW	hp

W950A	9,5	2.5	165	16,5	2400	1750	2,94	4
W951A	11,5	3.04	103	10,3	1500		2,20	3
W952A	11,5	3.04	138	13,8	2000		2,94	4
W953A	11,5	3.04	172	17,2	2500		3,67	5
W954A	13,6	3.6	90	9	1300		2,20	3
W955A	13,6	3.6	117	11,7	1700		2,94	4
W956A	13,6	3.6	145	14,5	2100		3,67	5
W14200A	13,6	3.6	200	20	2900		5,14	7
W957A	15,9	4.2	76	7,6	1100		2,20	3
W958A	15,9	4.2	96	9,6	1400		2,94	4
W959A	15,9	4.2	124	12,4	1800		3,67	5
W16180A	15,9	4.2	180	18	2610		5,51	7,5

## 44 series A Version

For electric motor NEMA 184 TC  
Pour moteur électrique NEMA 184 TC  
Für Elektromotor NEMA 184 TC  
Para motor eléctrico NEMA 184 TC  
Per motore elettrico NEMA 184 TC

W150B	8	2.11	150	15	2175	1450	2,20	3
W130B	9,5	2.5	130	13	1885		2,20	3
W170B	9,5	2.5	170	17	2465		2,94	4
W112B	12	3.17	100	10	1450		2,20	3
W140B	12	3.17	140	14	2030		2,94	4
W200B	12	3.17	200	20	2900		4,41	6
W97B	14	3.69	90	9	1300		2,20	3
W124B	14	3.69	120	12	1750		2,94	4
W154B	14	3.69	150	15	2175		4,04	5,5
W204B	14	3.69	200	20	2900		5,37	7,3

## 44 series B Version

For electric motor IEC100-112 B14  
Pour moteur électrique IEC100-112 B14  
Für Elektromotor IEC100-112 B14  
Para motor eléctrico IEC100-112 B14  
Per motore elettrico IEC100-112 B14

WW186B	13	3.43	180	18	2610	2800	4,04	5,5
WW206B	13	3.43	200	20	2900		5,51	7,5
WW116B	15	3.96	110	11	1600		2,94	4
WW156B	15	3.96	150	15	2175		4,04	5,5
WW209B	15	3.96	200	20	2900		5,51	7,5
WW136B	17	4.5	130	13	1885		4,04	5,5
WW176B	17	4.5	170	17	2465		5,51	7,5

WW960C 1"	13,2	3.48	172	17,2	2500	3400	4,04	5,5
WW961C 1"	15	3.96	172	17,2	2500		4,77	6,5
WW962C 1"	17,4	4.6	172	17,2	2500		5,51	7,5
WW963C 1"	11	2.9	250	25	3625	3400	5,51	7,5
WW964C 1"	13	3.43	250	25	3625		6,25	8,5
WW965C 1"	15	3.96	250	25	3625		7,35	10

## 44 series C 1" Version

For gasoline engine SAE J609-B ext. 4  
Pour moteur essence SAE J609-B ext. 4  
Für Benzinmotor SAE J609-B ext. 4  
Para motor de gasolina SAE J609-B ext. 4  
Per motore endotermico SAE J609-B ext. 4

All models (excepts for models WW963 - WW964 - WW965 - WW963C - WW964C - WW965C - W200B - W204B - W14200A - W16180A) can be supplied with built-in "H" type and "K" type automatic pressure regulators (right).

Tous les modèles (sauf modèles WW963 - WW964 - WW965 - WW963C - WW964C - WW965C - W200B - W204B - W14200A - W16180A) peuvent être livrés avec régulateur automatique de pression incorporé de la série "H" ou "K" (à droite).

Alle Modelle (Ausschließlich Modelle WW963 - WW964 - WW965 - WW963C - WW964C - WW965C - W200B - W204B - W14200A - W16180A) sind mit eingebautem automatischem Druckregulierventil typ "H" und "K" lieferbar (rechts).

Todos los modelos (excepto modelos WW963 - WW964 - WW965 - WW963C - WW964C - WW965C - W200B - W204B - W14200A - W16180A) pueden venir equipados con regulador automático de presión incorporado, de tipo "H" y "K" (a la derecha).

Tutti i modelli (esclusi WW963 - WW964 - WW965 - WW963C - WW964C - WW965C - W200B - W204B - W14200A - W16180A) possono essere forniti con valvola di regolazione automatica incorporata di tipo "H" o di tipo "K" (a destra).





# INTERPUMPGROUP

I GB	ISTRUZIONI D'USO INSTRUCTIONS FOR USE	F D	MODE D'EMPLOI BEDIENUNGSANLEITUNG	E P	INSTRUCCIONES DE USO INSTRUÇÕES DE USO
---------	--	--------	--------------------------------------	--------	---

Questo manuale deve essere letto e compreso in accordo al libretto generico "Istruzioni d'uso e manutenzione".  
 This manual must be read and followed in accordance with the generic "Instructions for Use and Maintenance" booklet.  
 Ce manuel doit être lu et compris en accord avec la notice générale " Mode d'emploi et d'entretien ".  
 Dieses Handbuch ist in Verbindung mit dem allgemeinen Handbuch " Gebrauchs- und Wartungsanleitung " zu lesen und zu verstehen.  
 Este manual debe leerse y comprenderse de acuerdo con el manual general "Instrucciones de uso y mantenimiento"  
 Este manual deve ser lido e interpretado de acordo com o livro genérico "Instruções de uso e manutenção"




44

Modello Model Modèle Modell Modelo	Portata Flow rate Débit Förderstrom Caudal Fluxo		Pressione Pressure Pression Druck Presión Pressão			g/m rpm t/m upm r/m r/m	Potenza Power Puissance Leistung Potencia Poder		Peso Weight Gewicht Gewicht Peso Peso		
	L/min	gpm	bar	MPa	psi		Hp	kW	Kg	Ibs	
W150	8	2.11	150	15	2175	1450	3.0	2.20	7.9	17.4	0.4
W130	9.5	2.11	130	13	1885	1450	3.0	2.20	7.9	17.4	0.4
W130HH	9.5	2.11	130	13	1885	1450	3.0	2.20	7.9	17.4	0.4
W170	9.5	2.50	170	17	2465	1450	4.0	2.94	7.9	17.4	0.4
W112	12	2.50	100	10	1450	1450	3.0	2.20	7.7	17.0	0.4
W140	12	3.17	140	14	2030	1450	4.0	2.94	7.7	17.0	0.4
W140HH	12	3.17	140	14	2030	1450	4.0	2.94	7.7	17.0	0.4
W200	12	3.17	200	20	2900	1450	6.0	4.41	7.7	17.0	0.4
W97	14	3.69	90	9	1300	1450	3.0	2.20	7.7	17.0	0.4
W124	14	3.69	120	12	1750	1450	4.0	2.94	7.7	17.0	0.4
W154	14	3.69	150	15	2175	1450	5.5	4.04	7.7	17.0	0.4
W154HH	14	3.69	150	15	2175	1450	5.5	4.04	7.7	17.0	0.4
W204	14	3.69	200	20	2900	1450	7.3	5.37	7.7	17.0	0.4
W950	9.5	2.50	165	16.5	2400	1750	4.0	2.94	7.9	17.4	0.4
W951	11.5	3.04	103	10.3	1500	1750	3.0	2.20	7.9	17.4	0.4
W952	11.5	3.04	138	13.8	2000	1750	4.0	2.94	7.9	17.4	0.4
W953	11.5	3.04	172	17.2	2500	1750	5.0	3.67	7.9	17.4	0.4
W954	13.6	3.60	90	9	1300	1750	3.0	2.20	7.7	17.0	0.4
W955	13.6	3.60	117	11.7	1700	1750	4.0	2.94	7.7	17.0	0.4
W956	13.6	3.60	145	14.5	2100	1750	5.0	3.67	7.7	17.0	0.4
W14200	13.6	3.60	200	20	2900	1750	7.0	5.14	7.7	17.0	0.4
W957	15.9	4.20	76	7.6	1100	1750	3.0	2.20	7.7	17.0	0.4
W958	15.9	4.20	96	9.6	1400	1750	4.0	2.94	7.7	17.0	0.4
W959	15.9	4.20	124	12.4	1800	1750	5.0	3.67	7.7	17.0	0.4
W16180	15.9	4.20	180	18	2610	1750	7.5	5.51	7.7	17.0	0.4

S  
E  
R  
I  
E  
S



**44****S  
E  
R  
I  
E  
S**

Modello Model Modèle Modell Modelo Modelo	Portata Flow rate Débit Förderstrom Caudal Fluxo		Pressione Pressure Pression Druck Presión Pressão			g/m rpm t/m upm r/m r/m	Potenza Power Puissance Leistung Potencia Poder		Peso Weight Poids Gewicht Peso Peso		
	L/min	gpm	bar	MPa	psi		Hp	kW	Kg	Ibs	
WW186	13	3.43	180	18	2610	2800	5.5	4.04	7.9	17.4	0.4
WW206	13	3.43	200	20	2900	2800	7.5	5.51	7.9	17.4	0.4
WW116	15	3.96	110	11	1600	2800	4.0	2.94	7.9	17.4	0.4
WW156	15	3.96	150	15	2175	2800	5.5	4.04	7.9	17.4	0.4
WW209	15	3.96	200	20	2900	2800	7.5	5.51	7.9	17.4	0.4
WW189	16	4.22	180	18	2610	2800	7.5	5.51	7.9	17.4	0.4
WW136	17	4.50	130	13	1885	2800	5.5	4.04	7.9	17.4	0.4
WW176	17	4.50	170	17	2465	2800	7.5	5.51	7.9	17.4	0.4
WW963	11	2.90	250	25	3600	3400	7.5	5.51	8.7	19.2	0.4
WW964	13	3.43	250	25	3600	3400	8.5	6.25	8.7	19.2	0.4
WW960	13.2	3.48	172	17.2	2500	3400	5.5	4.04	8.7	19.2	0.4
WW961	15	3.96	172	17.2	2500	3400	6.5	4.77	8.7	19.2	0.4
WW965	15	3.96	250	25	3600	3400	10	7.35	8.7	19.2	0.4
WW962	17.4	4.60	172	17.2	2500	3400	7.5	5.51	8.7	19.2	0.4



**KIT RICAMBI – SPARE KITS****OTTONE BRASS****NICKEL****PISTONE- PISTON Ø15****PISTONE- PISTON Ø18**

KIT Nr.	KIT 23	KIT 123	KIT 124	KIT 158	KIT 88	KIT 89	KIT 90	KIT 125	KIT 130	KIT 126	KIT 127	KIT 128	KIT 129	KIT 131
Posizioni incluse Positions included	17	4 – 5 6 – 7 8 – (11)	9 - 10	9 - 10	43 – 44 51	42	45	40 – 41	40 – 41 42 – 43 44 – 45 51	40 – 41	43 – 44 51	42	45	40 – 41 42 – 43 44 – 45 51
Nr. Pcs.	3	6	6	6	3	3	6	3	1	3	3	6	3	1

**W97 - W112 - W124 - W130  
W140 - W150 - W154 - W170  
W200 - W204 - W950 - W951  
W952 - W953 - W954 - W955  
W956 - W957 - W958 - W959  
W14200 - W16180 - WW116  
WW136 - WW156 - WW176  
WW186 - WW189 - WW206  
WW209 - WW960 - WW961  
WW962**

	PISTONE – PISTON Ø15	PISTONE – PISTON Ø18
<b>OTTONE BRASS</b>	<b>W130 – W150 – W170 W950 – W951 – W952 W953 – WW116 – WW136 WW176 – WW186 – WW189 – WW206 WW209 – WW960 – WW961 – WW962</b>	<b>W97 – W112 - W124 W140 - W154 - W954 W955 – W956 - W957 W958 - W959</b>
<b>NICKEL</b>		<b>W200 – W204 W14200 - W16180</b>

POS	COD.	DESCRIZIONE – DESCRIPTION - KIT	NR
1	44.1200.41	Testata Ø 15	1
	44.1204.41	Testata Ø 18	1
	44.1207.41	Testata Ø 18 – NICKEL	1
2	99.3175.00	Vite M8x60 UNI 5931	8
3	96.7014.00	Rosetta Ø 8.4x13x0.8	8
4	90.3841.00	OR Ø 17.13x2.62 (3068)	123 6
5	36.2003.66	Sede valvola	123 6
6	36.2001.76	Valvola	123 6
7	94.7376.00	Molla Ø 9.4x14.8	123 6
8	36.2025.51	Guida valvola	123 6
9	90.3847.00	OR Ø 20.24x2.62 (3081) 90 Sh. 124-158	6
10	98.2226.00	Tappo M24x1.5x17	124
	98.2225.00	Tappo M24x1.5x17 – NICKEL	158 6
11	36.7115.01	Gruppo valvola aspiraz./mand.	123 6
12	99.1807.00	Vite M6x10 UNI 5739	8

POS	COD.	DESCRIZIONE – DESCRIPTION - KIT	NR
13	50.1500.74	Coperchio carter	2
14	44.2118.01	Distanziale con indicatore	1
15	90.4097.00	OR Ø 55.56x3.53 (159)	1
16	91.8331.00	Cuscinetto a sfere 6305 – Spec.	2
17	90.1614.00	Anello rad. Ø 20x30x5 23	3
18	44.0100.22	Carter pompa	1
19	98.2103.00	Tappo carico olio G 3/8"	1
20	44.0200.35	Albero – ww186-ww206	1
	44.0203.35	Albero – W112-W140-W150-W950-W954 W955-W956-WW116-WW156-WW209-W200 W14200	1
	44.0206.35	Albero – ww189	1
21	44.0205.35	Albero – w97-w124-w130-w154-w170 w951-w952-w953-w957-w958-w959 ww136-ww176-w204-w16180	1
	44.0206.35		1
21	91.4892.00	Linguetta 8x7x35 UNI 6604	1
22	44.0500.66	Guida pistone	3
23	44.0300.22	Biella	3
24	90.3920.00	OR Ø 101.27x2.62 (3400)	1
25	44.1600.22	Coperchio posteriore	1
26	99.1837.00	Vite M6x14 UNI 5931	5
27	90.3585.00	OR Ø 10.82x1.78 (2043)	1
28	98.2041.00	Tappo G 1/4"x9	1
29	97.7340.00	Spinotto Ø 10x29.5	3
30	96.7350.00	Rosetta Ø 16x27x1.7/0.7	3
31	90.5022.00	Anello antiest. Ø 6.2x9x1.5	3

POS	COD.	DESCRIZIONE – DESCRIPTION - KIT	NR
32	90.3572.00	OR Ø 5.28x1.78 (2021) – Spec.	3
33	52.0400.09	Pistone Ø 15	3
	44.0401.09	Pistone Ø 18	3
34	44.2115.70	Rosetta Ø 8 con collare	3
35	92.2216.00	Dado M8x13x5 - INOX	3
36	90.1641.00	Anello rad. Ø 25x62x10	1
37	50.2000.74	Piedino	2
38	96.7016.00	Rosetta Ø 8.4 UNI 1751	4
39	99.3037.00	Vite M8x16 UNI 5739	4
40	90.3612.00	OR Ø 31.47x1.78 (2125)	125-126 130-131 3
41	44.0800.70	Anello di fondo Ø 15	125-130 3
	44.0801.70	Anello di fondo Ø 18	126-131 3
42	52.2166.70	Anello intermedio Ø 15	89-130 3
	44.2161.70	Anello intermedio Ø 18	128-131 3
43	90.2622.00	Anello RESTOP Ø 15	88-130 3
	90.2683.00	Anello RESTOP Ø 18	127-131 3
44	90.2620.00	Anello tenuta Ø 15 HP	88-130 3
	90.2682.00	Anello tenuta Ø 18 HP	127-131 3
45	51.1000.51	Anello di testa Ø 15	90-130 3
	44.1001.51	Anello di testa Ø 18	129-131 3
46	98.2100.00	Tappo G 3/8"x13	1
47	98.2176.00	Tappo G 1/2"x10	1
48	96.7380.00	Rosetta Ø 17.5x23x1.5	1
49	96.7514.00	Rosetta Ø 21.5x27x1.5	1
50	98.1966.00	Tappo G 1/8"x8	1
51	90.2617.00	Anello tenuta Ø 15 LP	88-130 3
	90.2684.00	Anello tenuta Ø 18 LP	127-131 3





# W130HH – W140HH W154HH

## KIT RICAMBI – SPARE KITS

### PISTONE- PISTON Ø15

### PISTONE- PISTON Ø18

KIT Nr.	KIT 23	KIT 123	KIT 124	KIT 250	KIT 89	KIT 90	KIT 125	KIT 126	KIT 251	KIT 128	KIT 129
Posizioni include Positions included	17	4 – 5 6 – 7 8 - (11)	9 - 10	43 – 44	42	45	40 – 41	40 – 41	43 – 44	42	45
Nr. Pcs.	3	6	6	3	3	6	3	3	3	6	3

### PISTONE – PISTON -Ø15

### PISTONE – PISTON - Ø18

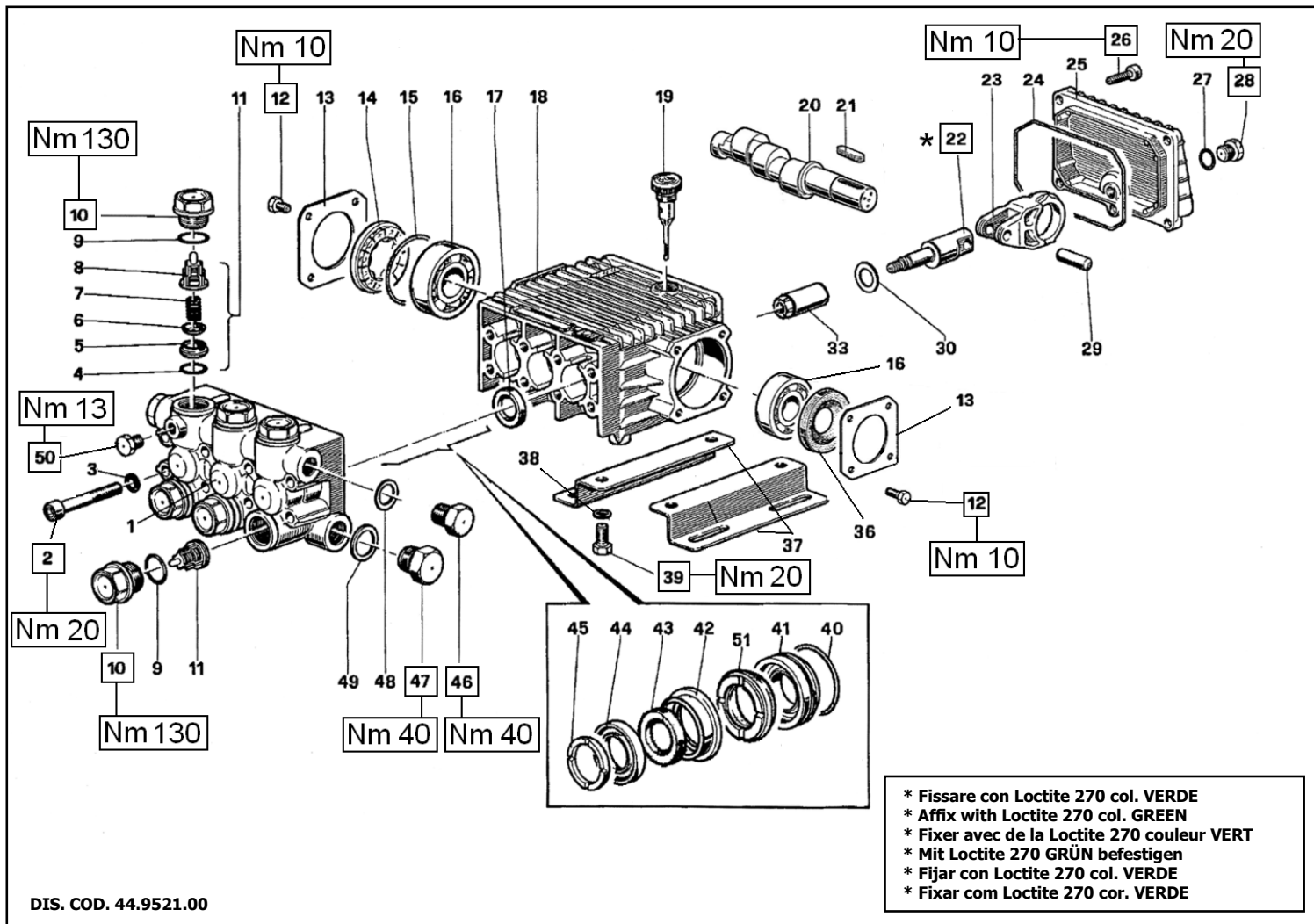
## W130HH – W140HH

## W154HH

POS	COD.	DESCRIZIONE – DESCRIPTION - KIT	NR
1	44.1200.41 44.1204.41	Testata Ø 15 Testata Ø 18	1 1
2	99.3175.00	Vite M8x60 UNI 5931	8
3	96.7014.00	Rosetta Ø 8.4x13x0.8	8
4	90.3841.00	OR Ø 17.13x2.62 (3068)	123 6
5	36.2003.66	Sede valvola	123 6
6	36.2001.76	Valvola	123 6
7	94.7376.00	Molla Ø 9.4x14.8	123 6
8	36.2025.51	Guida valvola	123 6
9	90.3847.00	OR Ø 20.24x2.62 (3081) 90 Sh.	124 6
10	98.2226.00	Tappo M24x1.5x17	124 6
11	36.7115.01	Gruppo valvola aspiraz./mand.	123 6
12	99.1807.00	Vite M6x10 UNI 5739	8
13	50.1500.74	Coperchio carter	2
14	44.2118.01	Distanziale con indicatore	1
15	90.4097.00	OR Ø 55.56x3.53 (159)	1
16	91.8331.00	Cuscinetto a sfere 6305 – Spec.	2
17	90.1614.00	Anello rad. Ø 20x30x5	23 3
18	44.0100.22	Carter pompa	1

POS	COD.	DESCRIZIONE – DESCRIPTION - KIT	NR
19	98.2103.00	Tappo carico olio G 3/8"	1
20	44.0203.35 44.0206.35	Albero – W140HH Albero – W130HH-W154HH	1 1
21	91.4892.00	Linguetta 8x7x35 UNI 6604	1
22	44.0500.66	Guida pistone	3
23	44.0300.22	Biella	3
24	90.3920.00	OR Ø 101.27x2.62 (3400)	1
25	44.1600.22	Coperchio posteriore	1
26	99.1837.00	Vite M6x14 UNI 5931	5
27	90.3585.00	OR Ø 10.82x1.78 (2043)	1
28	98.2041.00	Tappo G 1/4"x9	1
29	97.7340.00	Spinotto Ø 10x29.5	3
30	96.7350.00	Rosetta Ø 16x27x1.7/0.7	3
31	90.5022.00	Anello antiest. Ø 6.2x9x1.5	3
32	90.3572.00	OR Ø 5.28x1.78 (2021) – Spec.	3
33	52.0400.09 44.0401.09	Pistone Ø 15 Pistone Ø 18	3 3
34	44.2115.70	Rosetta Ø 8 con collare	3
35	92.2216.00	Dado M8x13x5 - INOX	3
36	90.1641.00	Anello rad. Ø 25x62x10	1
37	50.2000.74	Piedino	2
38	96.7016.00	Rosetta Ø 8.4 UNI 1751	4
39	99.3037.00	Vite M8x16 UNI 5739	4

POS	COD.	DESCRIZIONE – DESCRIPTION - KIT	NR
40	90.3612.00	OR Ø 31.47x1.78 (2125)	125-126 3
41	44.0800.70 44.0801.70	Anello di fondo Ø 15 Anello di fondo Ø 18	125 3 126 3
42	52.2166.70 44.2161.70	Anello intermedio Ø 15 Anello intermedio Ø 18	89 3 128 3
43	90.2622.00 90.2683.00	Anello RESTOP Ø 15 Anello RESTOP Ø 18	250 3 251 3
44	90.2620.00 90.2682.00	Anello tenuta Ø 15 HP Anello tenuta Ø 18 HP	250 6 251 6
45	51.1000.51 44.1001.51	Anello di testa Ø 15 Anello di testa Ø 18	90 6 129 6
46	98.2100.00	Tappo G 3/8"x13	1
47	98.2176.00	Tappo G 1/2"x10	1
48	96.7380.00	Rosetta Ø 17.5x23x1.5	1
49	96.7514.00	Rosetta Ø 21.5x27x1.5	1
50	98.1966.00	Tappo G 1/8"x8	1



**KIT RICAMBI – SPARE KITS**

KIT Nr.	KIT 23	KIT 123	KIT 152	KIT 153	KIT 154	KIT 155	KIT 156	KIT 158
Posizioni incluse Positions included	17	4 – 5 6 – 7 8 - (11)	40 – 41	43 – 44 51	42	45	40 – 41 42 – 43 44 – 45 51	9 - 10
Nr. Pcs.	3	6	3	3	3	6	3	6

**WW963 – WW964 – WW965**

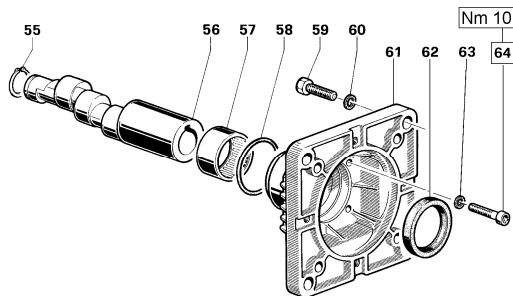
POS	COD.	DESCRIZIONE – DESCRIPTION - KIT	NR
1	44.1208.41	Testata Ø 13 - NICKEL	1
2	99.3175.00	Vite M8x60 UNI 5931	8
3	96.7014.00	Rosetta Ø 8.4x13x0.8	8
4	90.3841.00	OR Ø 17.13x2.62 (3068)	123 6
5	36.2003.66	Sede valvola	123 6
6	36.2001.76	Valvola	123 6
7	94.7376.00	Molla Ø 9.4x14.8	123 6
8	36.2025.51	Guida valvola	123 6
9	90.3847.00	OR Ø 20.24x2.62 (3081) 90 Sh.	158 6
10	98.2225.00	Tappo M24x1.5x17 - NICKEL	158 6
11	36.7115.01	Gruppo valvola aspiraz./mand.	123 6
12	99.1807.00	Vite M6x10 UNI 5739	8
13	50.1500.74	Coperchio carter	2
14	44.2118.01	Distanziale con indicatore	1
15	90.4097.00	OR Ø 55.56x3.53 (159)	1
16	91.8331.00	Cuscinetto a sfere 6305 – Spec.	2
17	90.1614.00	Anello rad. Ø 20x30x5	23 3
18	44.0100.22	Carter pompa	1
19	98.2103.00	Tappo carico olio G 3/8"	1
20	44.0200.35 44.0203.35 44.0206.35	Albero – WW963 Albero – WW964 Albero – WW965	1 1 1
21	91.4892.00	Linguetta 8x7x35 UNI 6604	1

POS	COD.	DESCRIZIONE – DESCRIPTION - KIT	NR
22	44.0501.66	Guida pistone	3
23	44.0300.22	Biella	3
24	90.3920.00	OR Ø 101.27x2.62 (3400)	1
25	44.1600.22	Coperchio posteriore	1
26	99.1837.00	Vite M6x14 UNI 5931	5
27	90.3585.00	OR Ø 10.82x1.78 (2043)	1
28	98.2041.00	Tappo G 1/4"x9	1
29	97.7340.00	Spinotto Ø 10x29.5	3
30	96.6967.00	Rosetta Ø 7.1x28x0.5	3
33	44.0402.66	Pistone Ø 13	3
36	90.1641.00	Anello rad. Ø 25x62x10	1
37	50.2000.74	Piedino	2
38	96.7016.00	Rosetta Ø 8.4 UNI 1751	4
39	99.3037.00	Vite M8x16 UNI 5739	4
40	90.3612.00	OR Ø 31.47x1.78 (2125)	152-156 3
41	44.0803.70	Anello di fondo Ø 13	152-156 3
42	52.2162.70	Anello intermedio Ø 13	154-156 3
43	90.5076.00	Anello antiest. Ø 13x17x2	153-156 3
44	90.2602.00	Anello tenuta Ø 13 HP	153-156 3
45	44.1002.51	Anello di testa Ø 13	155-156 3
46	98.2100.00	Tappo G 3/8"x13	1
47	98.2176.00	Tappo G 1/2"x10	1

POS	COD.	DESCRIZIONE – DESCRIPTION - KIT	NR
48	96.7380.00	Rosetta Ø 17.5x23x1.5	1
49	96.7514.00	Rosetta Ø 21.5x27x1.5	1
50	98.1967.00	Tappo G 1/8"x8 - NICKEL	1
51	90.2603.00	Anello tenuta Ø 13 LP	153-156 3

## VERSION A (for electric motors NEMA 184 TC)

**W950 – W951 – W952 – W953 - W954  
W955 – W956 – W957 – W958 – W959  
W14200 – W16180 - WW964 – WW965**

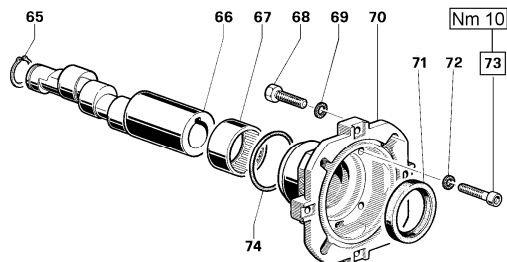


DIS. COD. 44.9501.00

POS	COD.	DESCRIZIONE - DESCRIPTION	NR
55	90.0635.00	Anello di fermo Ø 25	1
56	44.0214.65	Albero - W950-W954-W955-W956 W14200	1
	44.0216.65	Albero - W951-W952-W953-W957 W958-W959-W16180	1
57	91.8568.00	Boccola a rullini	1
58	90.4097.00	OR Ø 55.56x3.53 (159)	1
59	99.4600.00	Vite 1/2"-13x1- 1/4"	4
60	96.7195.00	Rosetta Ø 13x18x1.1	4
61	10.0504.22	Flangia per motore elettrico	1
62	90.1690.00	Anello rad. Ø 45x62x8	1
63	96.6938.00	Rosetta Ø 6.4x10x0.7	4
64	99.1912.00	Vite M6x30 UNI 5931	4

## VERSION B (for electric motors IEC 100-112 B14)

**W97 – W112 – W124 – W130 – W130HH  
W140 – W140HH - W150 – W154  
W154HH – W170 – W200 – W204  
WW116- WW136 – WW156 – WW176  
WW186 - WW206 – WW209**

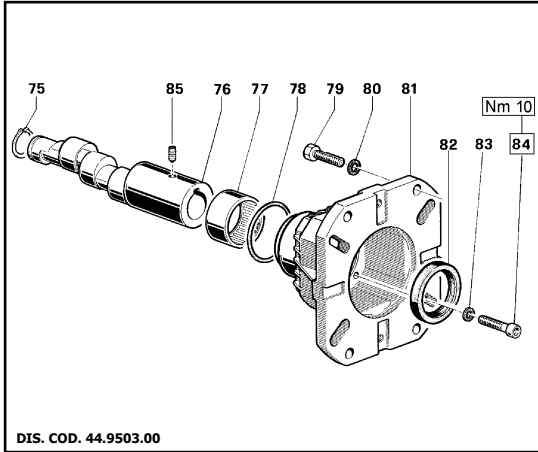


DIS. COD. 44.9502.00

POS	COD.	DESCRIZIONE - DESCRIPTION	NR
65	90.0635.00	Anello di fermo Ø 25	1
66	44.0213.65	Albero - W112-W140-W150-WW116 WW156-WW209-W200	1
	44.0215.65	Albero - W97-W124-W130-W154 W170-WW136-WW176-W204	1
	44.0210.65	Albero - WW186-WW206	1
67	91.8568.00	Boccola a rullini	1
68	99.3067.00	Vite M8x25 UNI 5739	4
69	96.7014.00	Rosetta Ø 8.4x13x0.8	4
70	10.0494.22	Flangia per motore elettrico	1
71	90.1690.00	Anello rad. Ø 45x62x8	1
72	96.6938.00	Rosetta Ø 6.4x10x0.7	4
73	99.1912.00	Vite M6x30 UNI 5931	4
74	90.4097.00	OR Ø 55.56x3.53 (159)	1

# VERSION C (for gasoline engines SAE J 609 type B ext.4)

## WW960 – WW961 – WW962 WW963 - WW964 – WW965



POS	COD.	DESCRIZIONE - DESCRIPTION	NR
75	90.0635.00	Anello di fermo Ø 25	1
76	44.0220.65	Albero – WW960	1
	44.0209.65	Albero – WW961-WW963	1
	44.0212.65	Albero – WW962-WW964	1
	44.0221.65	Albero – WW965	1
77	91.8568.00	Boccola a rullini	1
78	90.4097.00	OR Ø 55.56x3.53 (159)	1
79	99.2755.00	Vite 5/16"-24x1"	4
	99.3346.00	Vite 3/8"-16x1"-1/4	4
80	96.7020.00	Rosetta Ø 8.4x15x1.5	4
	96.7104.00	Rosetta Ø 10.5x16x1	4
81	10.0518.22	Flangia per motore a scoppio	1
82	90.1690.00	Anello rad. Ø 45x62x8	1
83	96.6938.00	Rosetta Ø 6.4x10x0.7	4
84	99.1912.00	Vite M6x30 UNI 5931	4
85	99.1790.00	Vite M6x6 UNI 5929	1

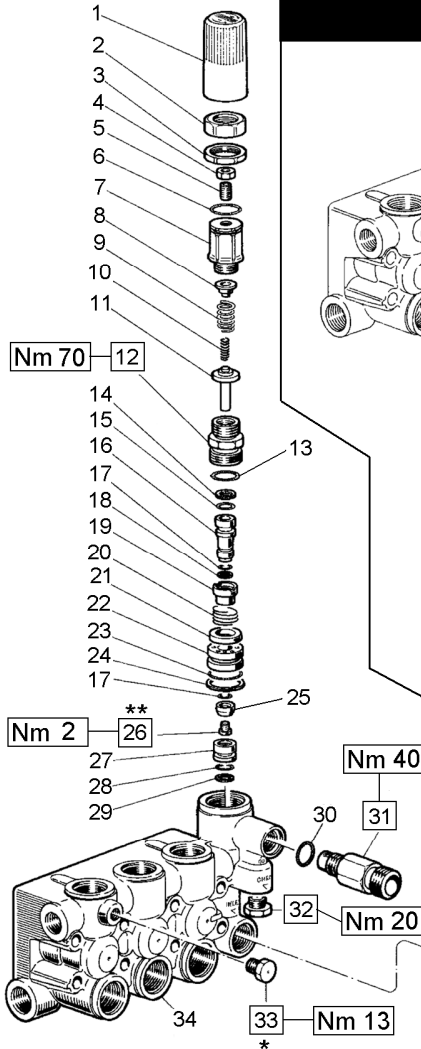
# VH VERSION

VERSIONE CON VALVOLA DI REGOLAZIONE AUT. - VERSION WITH BUILT-IN AUT. UNLOADER  
 VERSION AVEC RÉGULATEUR AUT. DE PRESSION INCORPORÉ  
 AUSFÜHRUNG MIT EINGEBAUTEM AUT. DRUCKREGULIERVENTIL

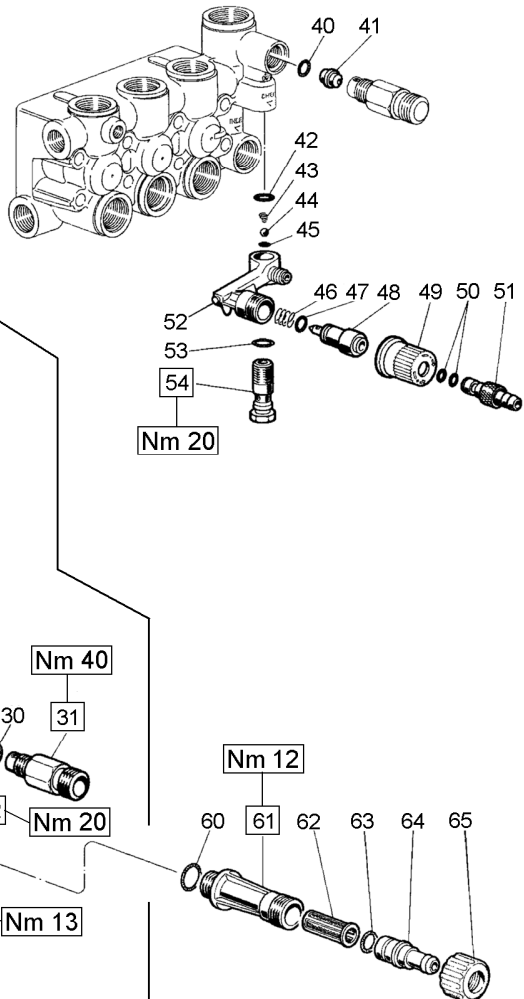
VERSIÓN CON REGULADOR AUT. DE PRESIÓN INCORPORADO - VERSÃO COM VÁLVULA DO REGULAMENTO AUT.

- \* Fissare con Loctite 542 col. ROSSO
- \* Affix with Loctite 542 col. RED
- \* Fixer avec de la Loctite 542 couleur ROUGE
- \* Mit Loctite 542 ROT befestigen
- \* Fijar con Loctite 542 col. ROJO
- \* Fixar com Loctite 542 cor. VERMELHA

- \*\* Fissare con Loctite 270 col. VERDE
- \*\* Affix with Loctite 270 col. GREEN
- \*\* Fixer avec de la Loctite 270 couleur VERT
- \*\* Mit Loctite 270 GRÜN befestigen
- \*\* Fijar con Loctite 270 col. VERDE
- \*\* Fixar com Loctite 270 cor. VERDE



## OPTIONALS



# VH VERSION

**VERSIONE CON VALVOLA DI REGOLAZIONE AUT. – VERSION WITH BUILT-IN AUT. UNLOADER  
VERSION AVEC RÉGULATEUR AUT. DE PRESSION INCORPORÉ  
AUSFÜHRUNG MIT EINGEBAUTEM AUT. DRUCKREGULIERVENTIL  
VERSIÓN CON REGULADOR AUT. DE PRESIÓN INCORPORADO - VERSÃO COM VÁLVULA DO REGULAMENTO AUT.**

POS	COD.	DESCRIZIONE – DESCRIPTION - KIT	N
1	36.3187.51	Pomolo	1
2	36.3186.70	Ghiera – OPTIONAL	1
3	92.2935.00	Dado M28x1.5 - OPTIONAL	1
4	92.2218.00	Dado M8x13 UNI 5589	1
5	99.3054.00	Vite M8x20 UNI 5923	1
6	90.3598.00	OR Ø 20.35x1.78 (2081)	1
7	36.3185.70	Registro pressione	1
8	36.3169.70	Piattello molla	1
9	94.7436.00	Molla Ø 15x35	1
10	94.7345.00	Molla Ø 7.6x29	1
11	36.3233.70	Piattello inferiore molla	1
12	36.3228.70	Boccola di guida	1
13	90.3857.00	OR Ø 23.81x2.62 (132)	1
14	90.5052.00	Anello antiest. Ø 9.6x14x1.5	137 1
15	90.3820.00	OR Ø 9.13x2.62 (109) – Spec.	137 1
16	36.3234.70	Pistoncino di comando	137 1
17	90.3575.00	OR Ø 6.75x1.78 (106) – Spec.	137 2
18	90.5025.00	Anello antiest. Ø 7x10x1.5	137 1
19	36.3230.70	Distanziale	137 1
20	94.7485.00	Molla Ø 18.5x11,5	137 1
21	36.3231.51	Valvola	137 1
22	36.3229.70	Guida valvola	137 1
23	90.3600.00	OR Ø 21.95x1.78 (2087)	137 1
24	90.5144.00	Anello antiest. Ø 22x25x1.5	137 1
25	36.3190.66	Valvola sferica	137 1
26	99.1509.00	Vite M5x0.8x8.5 – INOX	137 1
27	36.3164.66	Sede valvola	137 1
28	90.3822.00	OR Ø 9.92x2.62 (112) – Spec.	137 1
29	90.5065.00	Anello antiest. Ø 10.6x15x2	137 1
30	90.3832.00	OR Ø 13.95x2.62 (3056) – Spec.	94 1
31	10.0078.70 10.0147.70	Nipplo G 3/8" - Ø3 Nipplo M22x1.5 – Ø3	1 1
32	98.2057.00	Tappo M14x1.5	1

33	98.1966.00	Tappo G 1/8"x8	1
34	44.1201.41 44.1205.41	Testata Ø15 Testata Ø18	1 1
OPTIONALS			
POS	COD.	DESCRIZIONE – DESCRIPTION - KIT	N
40	90.3822.00	OR Ø 9.92x2.62 (112) – Spec.	94 1
41	10.0151.66 10.0076.66	Ugello – Nozzle Ø 2 (8÷11 l/min.) Ugello – Nozzle Ø 2.2 (12÷17 l/min.)	1 1
42	90.3582.00	OR Ø 9.25x1.78 (2037)	94 1
43	94.8217.00	Molla conica Ø 4.3/7.3x11	94 1
44	97.4782.00	Sfera Ø 7/32"	94 1
45	90.3572.00	OR Ø 5.28x1.78 (2021) – Spec.	94 1
46	94.7383.00	Molla Ø 9.75x10	94 1
47	90.3580.00	OR Ø 8.73x1.78 (108) – Spec.	94 1
48	36.2564.70	Otturatore	1
49	36.2565.51	Pomolo	1
50	90.3570.00	OR Ø 4.48x1.78 (2018)	94 1
51	36.2566.70	Innesto porta-gomma	1
52	36.3181.51	Corpo dosatore	1
53	90.3585.00	OR Ø 10.82x1.78 (2043)	94 1
54	36.2563.70	Sede valvola	1
60	90.3841.00	OR Ø 17.13x2.62 (3068)	1
61	36.3182.51	Nipplo di aspirazione G 3/4"	1
62	92.8925.00	Filtro	1
63	90.3828.00	OR Ø 12.37x2.62 (3050)	1
64	36.2569.51	Porta-gomma aspirazione	1
65	92.9828.00	Ghiera G 3/4"	1

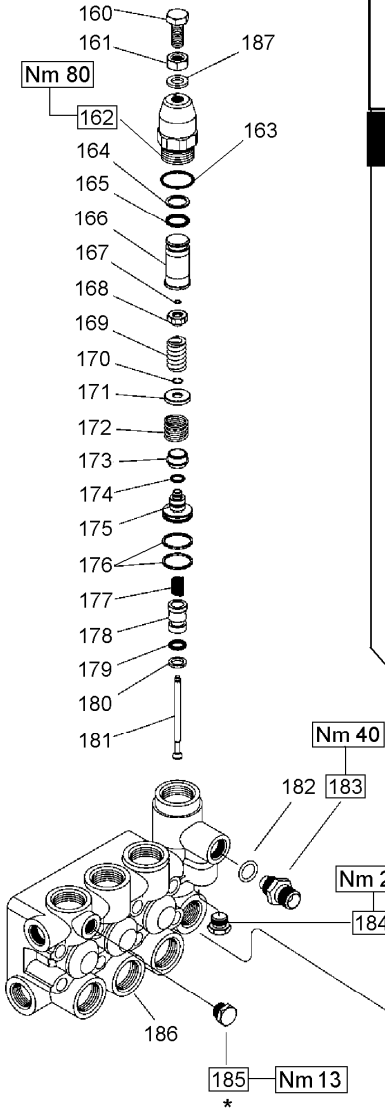
  

KIT RICAMBI – SPARE KITS		
KIT NR.	KIT 94	KIT 137
<b>Posizioni include</b>	<b>30 – 40 – 42</b>	<b>14 – 15 – 16</b>
<b>Positions included</b>	<b>43 – 44 – 45</b>	<b>17 – 18 – 19</b>
<b>included</b>	<b>46 – 47 – 50</b>	<b>20 – 21 – 22</b>
	<b>53</b>	<b>23 – 24 – 25</b>
		<b>26 – 27 – 28</b>
		<b>29</b>
<b>Nr. Pcs.</b>	<b>1</b>	<b>1</b>

# VK VERSION

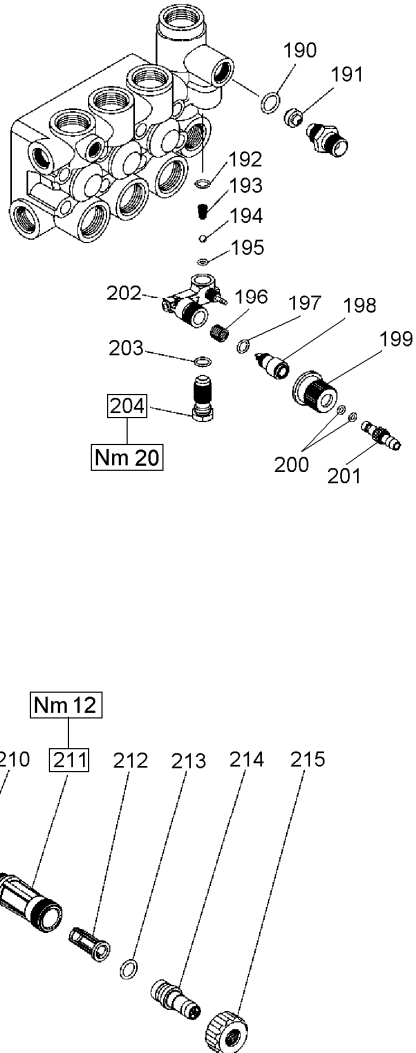
VERSIONE CON VALVOLA DI REGOLAZIONE AUT. – VERSION WITH BUILT-IN AUT. UNLOADER  
 VERSION AVEC RÉGULATEUR AUT. DE PRESSION INCORPORÉ  
 AUSFÜHRUNG MIT EINGEBAUTEM AUT. DRUCKREGULIERVENTIL

VERSIÓN CON REGULADOR AUT. DE PRESIÓN INCORPORADO - VERSÃO COM VÁLVULA DO REGULAMENTO AUT.



- \* Fissare con Loctite 542 col. ROSSO
- \* Affix with Loctite 542 col. RED
- \* Fixer avec de la Loctite 542 couleur ROUGE
- \* Mit Loctite 542 ROT befestigen
- \* Fijar con Loctite 542 col. ROJO
- \* Fixar com Loctite 542 cor. VERMELHA

## OPTIONALS



# VK VERSION

**VERSIONE CON VALVOLA DI REGOLAZIONE AUT. – VERSION WITH BUILT-IN AUT. UNLOADER  
VERSION AVEC RÉGULATEUR AUT. DE PRESSION INCORPORÉ  
AUSFÜHRUNG MIT EINGEBAUTEM AUT. DRUCKREGULIERVENTIL  
VERSIÓN CON REGULADOR AUT. DE PRESIÓN INCORPORADO - VERSÃO COM VÁLVULA DO REGULAMENTO AUT.**

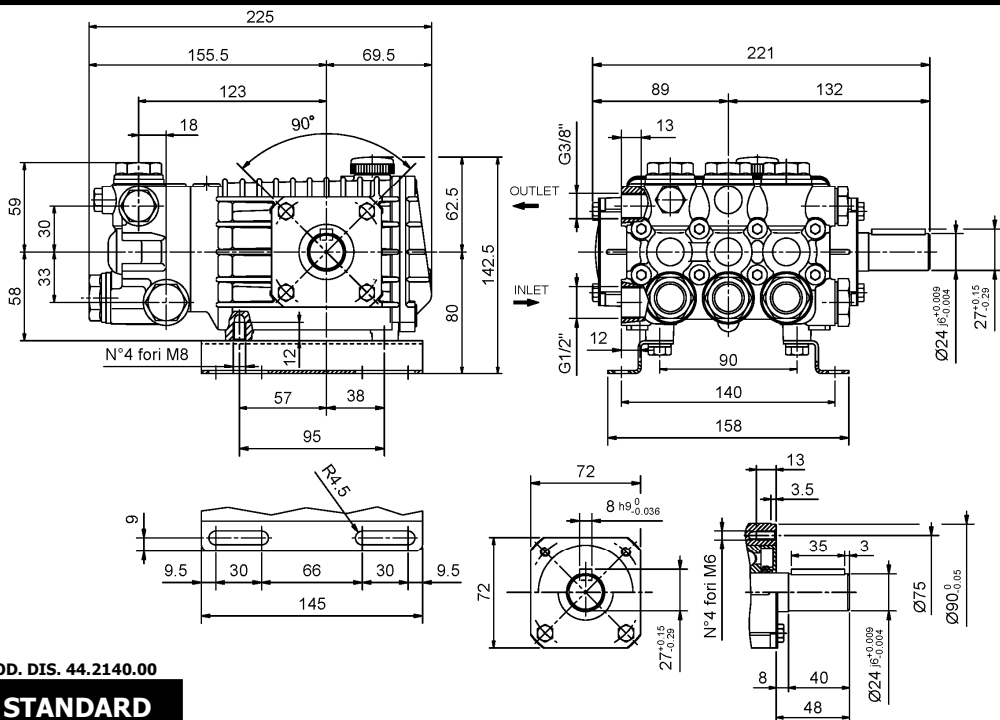
POS	COD.	DESCRIZIONE – DESCRIPTION - KIT	N
160	99.3663.00	Vite M10x1.25x25 UNI 5740	1
161	92.2368.00	Dado M10x1.25 UNI 5589	1
162	36.3270.70	Corpo superiore	1
163	90.3604.00	OR Ø 25.12x1.78 (2100)	1
164	90.5090.00	Anello antiest. Ø 15.8x20x1.3	1
165	90.3835.00	OR Ø 15.08x2.62 (119)	1
166	36.3271.00	Fine corsa	1
167	90.0059.00	Anello di arresto Ø 5 UNI 7433 177	1
168	36.3274.70	Piattello molla 177	1
169	94.7408.00	Molla Ø 12.5x26 177	1
170	90.0062.00	Anello di arresto Ø 8 UNI 7433 177	1
171	36.3273.70	Piattello molla 177	1
172	94.7480.00	Molla Ø 18.2x16.5 177	1
173	36.3277.56	Otturatore 177	1
174	90.3581.00	OR Ø 8.73x1.78 (108) 177	1
175	36.3272.70	Pistoncino di comando 177	1
176	92.7710.00	Fascia elastica Ø 25 177	2
177	94.7372.00	Molla 9.3x15 177	1
178	36.3276.66	Sede valvola 177	1
179	90.3823.00	OR Ø 9.92x2.62 (112) 177	1
180	90.5065.00	Anello antiest. Ø 10.6x15x2 177	1
181	36.3275.66	Asta valvola 177	1
182	90.3832.00	OR Ø 13.95x2.62 (3056) – Spec. 94	1
183	10.0078.70 10.0147.70	Nipplo G 3/8" - Ø 3 Nipplo M22x1.5 – Ø 3	1 1
184	98.2057.00	Tappo M14x1.5	1
185	98.1966.00	Tappo G 1/8"x8	1
186	44.1201.41 44.1205.41	Testata Ø 15 Testata Ø 18	1 1
187	96.7103.00	Rosetta Ø 10.5x18x2	1

OPTIONALS			
POS	COD.	DESCRIZIONE – DESCRIPTION - KIT	N
190	90.3822.00	OR Ø 9.92x2.62 (112) – Spec. 94	1
191	10.0151.66 10.0076.66	Ugello – Nozzle Ø 2 (8÷11 l/min.) Ugello – Nozzle Ø 2.2 (12÷17 l/min.)	1 1
192	90.3582.00	Or Ø 9.25x1.78 (2037) 94	1
193	94.8217.00	Molla conica Ø 4.3/7.3x11 94	1
194	97.4782.00	Sfera Ø 7/32" 94	1
195	90.3572.00	OR Ø 5.25x1.78 (2021) – Spec. 94	1
196	94.7383.00	Molla Ø 9.75x10 94	1
197	90.3580.00	OR Ø 8.73x1.78 (108) – Spec. 94	1
198	36.2564.70	Otturatore	1
199	36.2565.51	Pomolo	1
200	90.3570.00	OR Ø 4.48x1.78 (2018) 94	2
201	36.2566.70	Innesto porta-gomma	1
202	36.3181.51	Corpo dosatore	1
203	90.3585.00	OR Ø 10.82x1.78 (2043) 94	1
204	36.2563.70	Sede valvola	1
210	90.3841.00	OR Ø 17.13x2.62 (3068)	1
211	36.3182.51	Nipplo di aspirazione G 3/4"	1
212	92.8925.00	Filtro	1
213	90.3828.00	OR Ø 12.37x2.62 (3050)	1
214	36.2569.51	Porta-gomma aspirazione	1
215	92.9828.00	Ghiera G 3/4"	1

## KIT RICAMBI – SPARE KITS

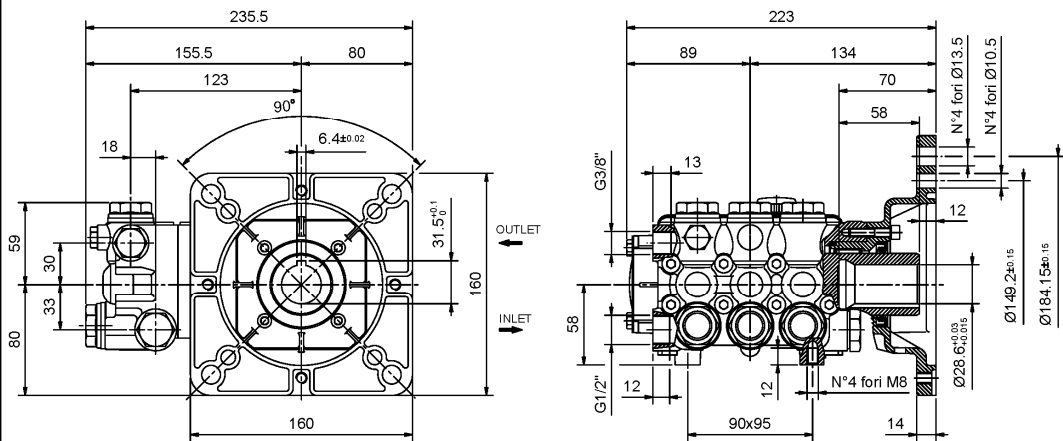
KIT NR.	KIT 94	KIT 177
<b>Posizioni incluse Positions included</b>	<b>182 – 190 – 192 193 – 194 – 195 196 – 197 – 200 203</b>	<b>167 – 168 – 169 170 – 171 – 172 173 – 174 – 175 176 – 177 – 178 179 – 180 – 181</b>
<b>Nr. Pcs.</b>	<b>1</b>	<b>1</b>

**DIMENSIONI D'INGOMBRO – OVERALL DIMENSIONS – DIMENSIONS D'ENCOMBREMENT  
RAUMBEDARF – DIMENSIONES TOTALES – DIMENSÕES**



COD. DIS. 44.2140.00

**STANDARD**



**W950 – W951**

**W952 – W953**

**W954 – W955**

**W956 – W957**

**W958 – W959**

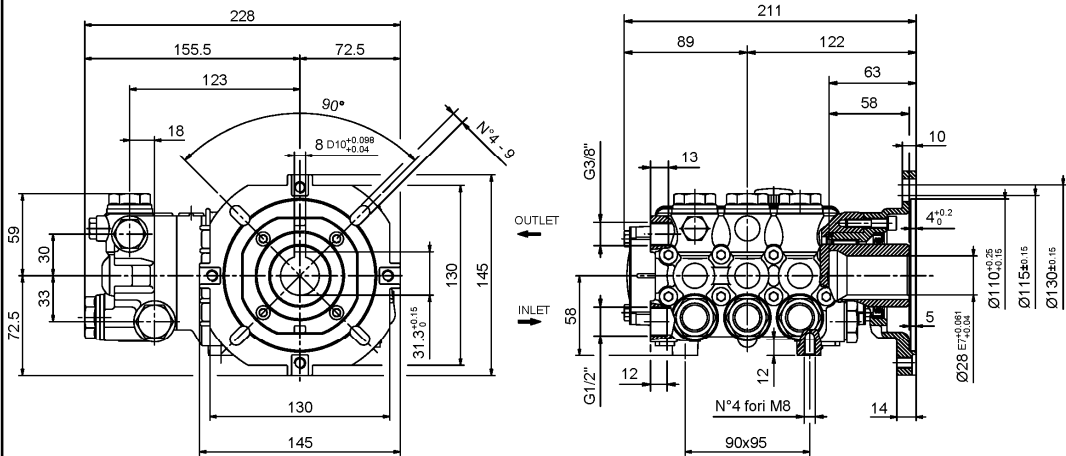
**W14200 – W16180**

**WW964 – WW965**

COD. DIS. 44.2143.00

**A**

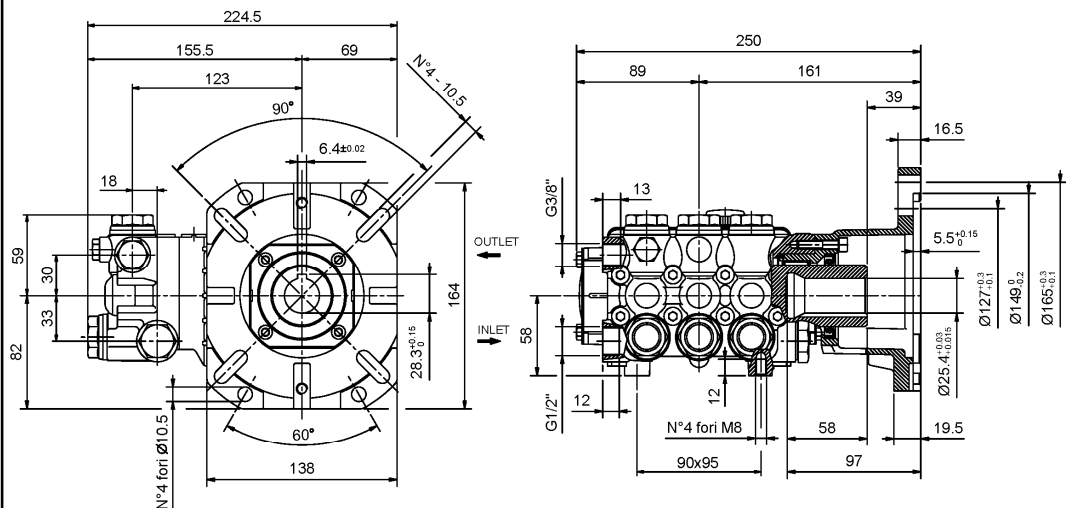
**DIMENSIONI D'INGOMBRO – OVERALL DIMENSIONS – DIMENSIONS D'ENCOMBREMENT  
RAUMBEDARF – DIMENSIONES TOTALES – DIMENSÕES**



**W97 – W112 – W124  
W130 – W130HH  
W140 – W140HH  
W150 – W154 - W154HH  
W170 – W200 – W204  
WW116  
WW136 – WW156 - WW176  
WW186 - WW206 – WW209**

**B**

**COD. DIS. 44.2145.00**

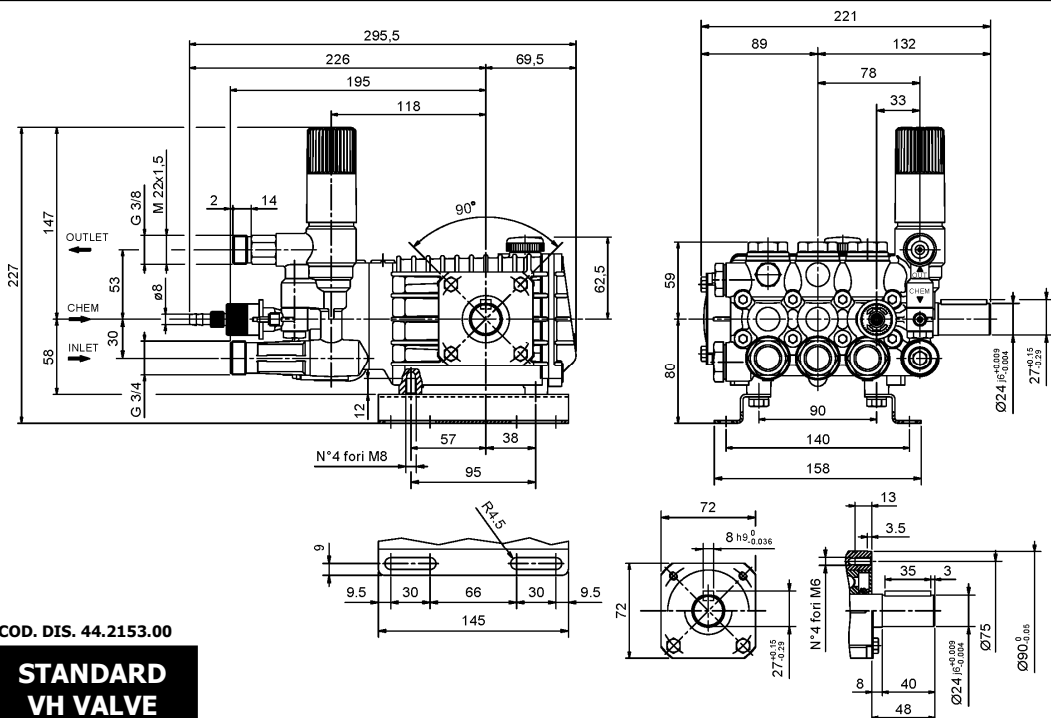


**C**

**COD. DIS. 44.2144.00**

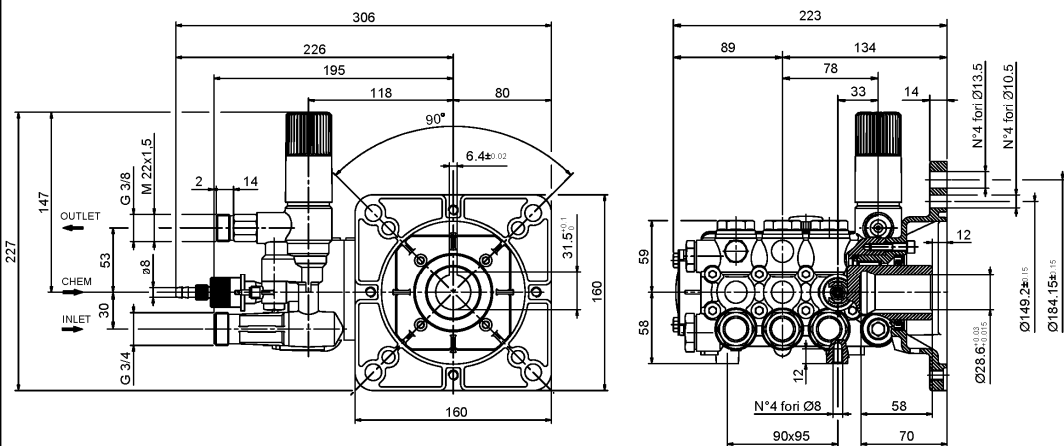
**WW960 - WW961  
WW962 - WW963  
WW964 – WW965**

**DIMENSIONI D'INGOMBRO – OVERALL DIMENSIONS – DIMENSIONS D'ENCOMBREMENT  
RAUMBEDARF – DIMENSIONES TOTALES – DIMENSÕES**



COD. DIS. 44.2153.00

**STANDARD  
VH VALVE**

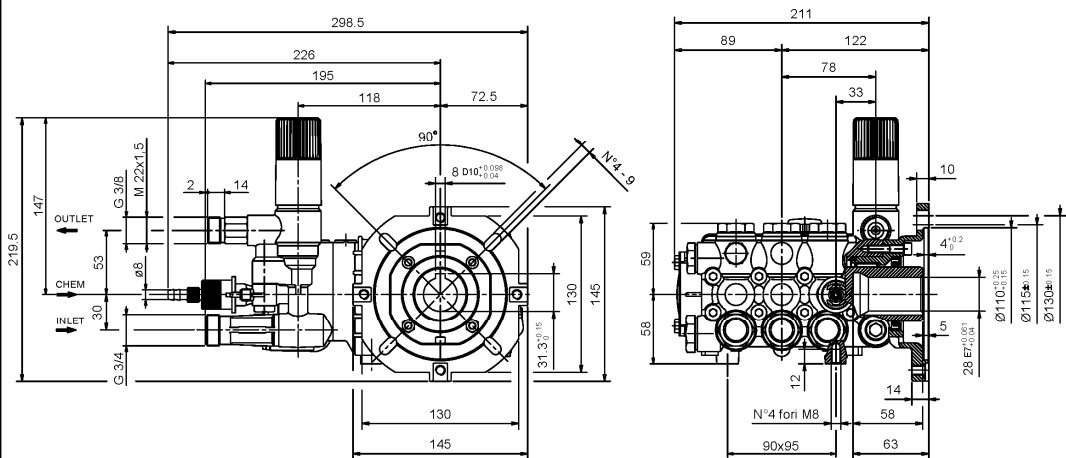


**A – VH VALVE**

COD. DIS. 44.2154.00

**W950 – W951  
W952 – W953  
W954 – W955  
W956 – W957  
W958 – W959  
WW964 – WW965**

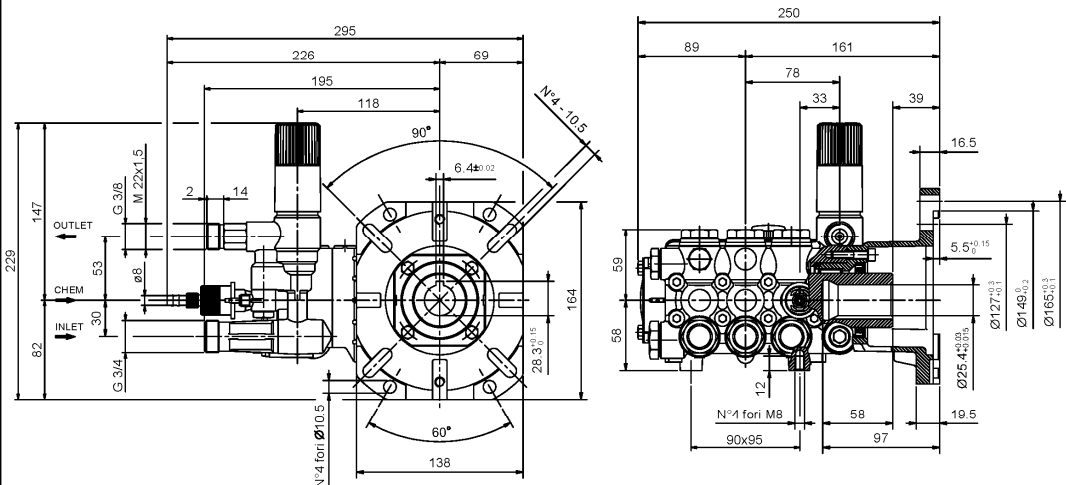
**DIMENSIONI D'INGOMBRO – OVERALL DIMENSIONS – DIMENSIONS D'ENCOMBREMENT  
RAUMBEDARF – DIMENSIONES TOTALES – DIMENSÕES**



**W97 – W112 – W124  
W130 – W130HH  
W140 – W140HH  
W150 – W154 - W154HH  
W170 – WW116  
WW136 – WW156 - WW176  
WW186 – WW206 – WW209**

**B – VH VALVE**

**COD. DIS. 44.2155.00**

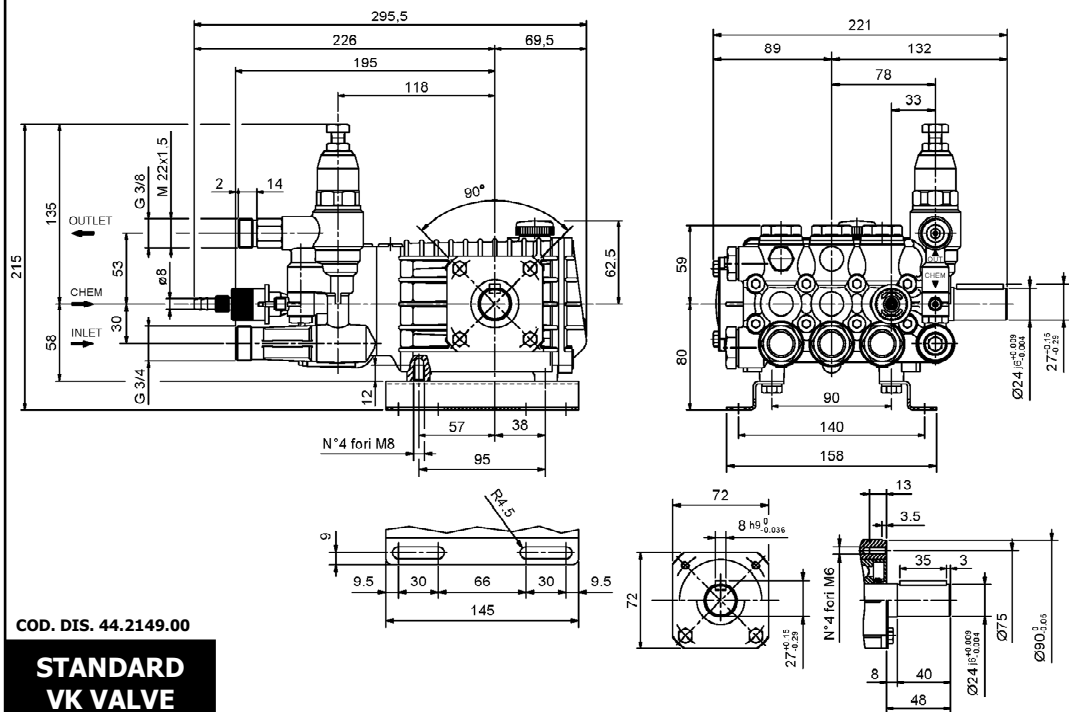


**WW960 - WW961  
WW962 - WW963  
WW964 – WW965**

**C – VH VALVE**

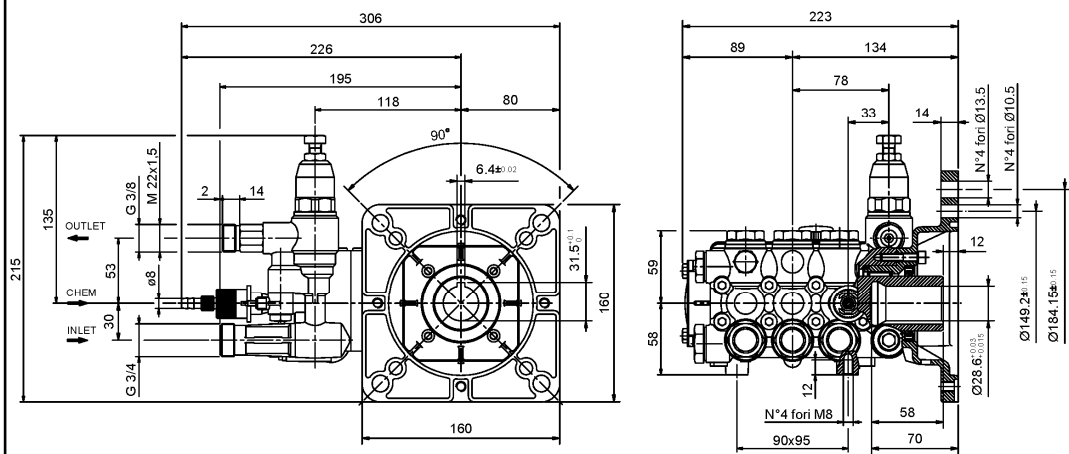
**COD. DIS. 44.2156.00**

**DIMENSIONI D'INGOMBRO – OVERALL DIMENSIONS – DIMENSIONS D'ENCOMBREMENT  
RAUMBEDARF – DIMENSIONES TOTALES – DIMENSÕES**



COD. DIS. 44.2149.00

**STANDARD  
VK VALVE**

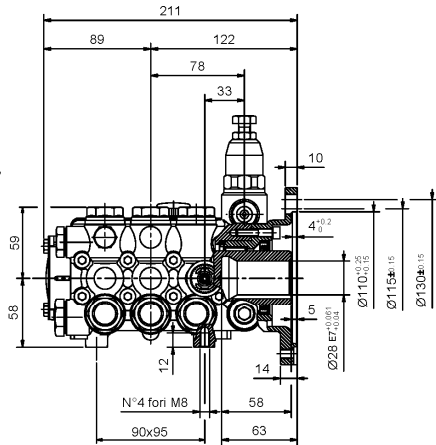
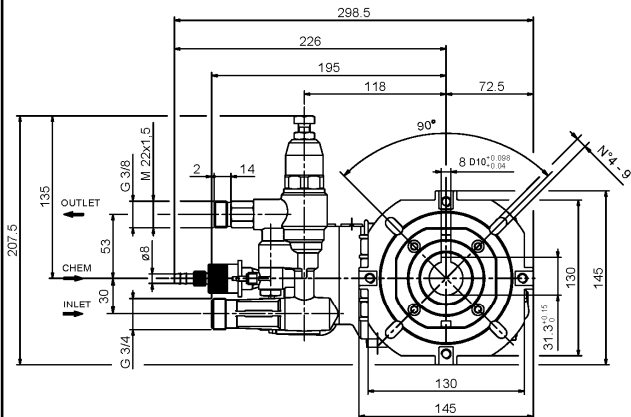


**A – VK VALVE**

COD. DIS. 44.2157.00

**W950 – W951  
W952 – W953  
W954 – W955  
W956 – W957  
W958 – W959  
WW964 – WW965**

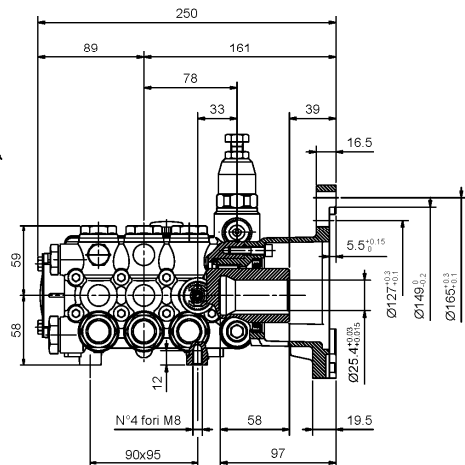
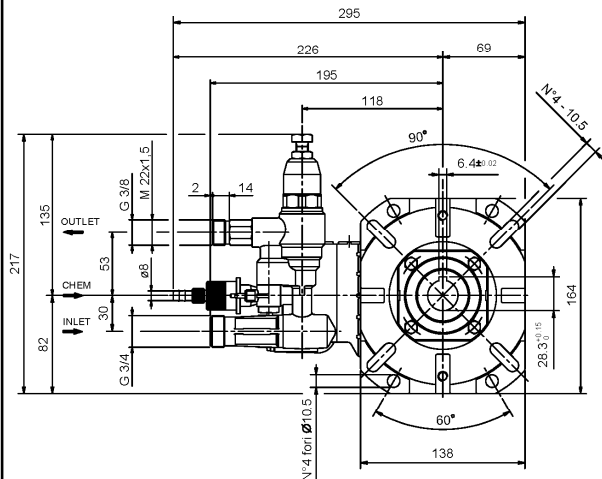
**DIMENSIONI D'INGOMBRO – OVERALL DIMENSIONS – DIMENSIONS D'ENCOMBREMENT  
RAUMBEDARF – DIMENSIONES TOTALES – DIMENSÕES**



**B – VK VALVE**

**COD. DIS. 44.2158.00**

**W97 – W112 – W124  
W130 – W130HH  
W140 – W140HH  
W150 – W154 – W154HH  
W170 – WW116  
WW136 – WW156 - WW176  
WW186 – WW206 – WW209**



**C – VK VALVE**

**COD. DIS. 44.2159.00**

**WW960 - WW961  
WW962 - WW963  
WW964 – WW965**